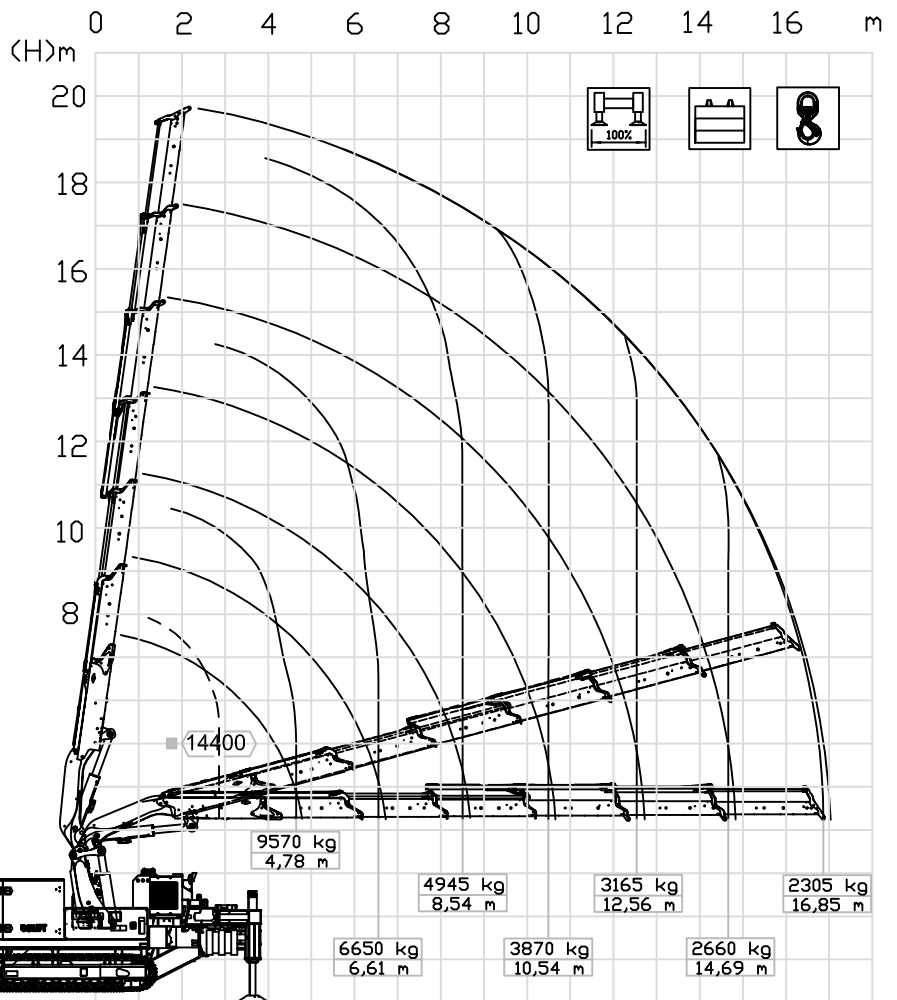
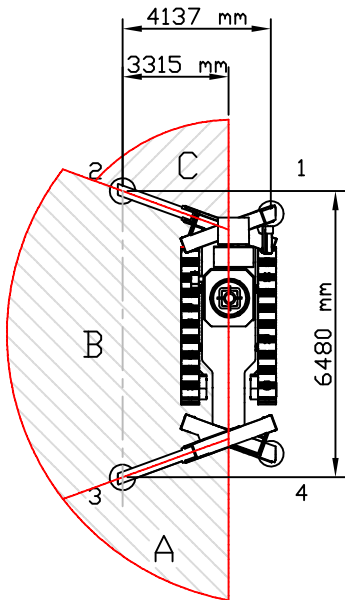


MODEL	VERSION	JIB	OUTRIGGERS	BALLAST	ACCORDING TO
CWE 525	6S	NO	100%	3800 [kg]	EN 12999



WORKING AREA	Ø F
A-B	355 (bar)
C	290 (bar)

